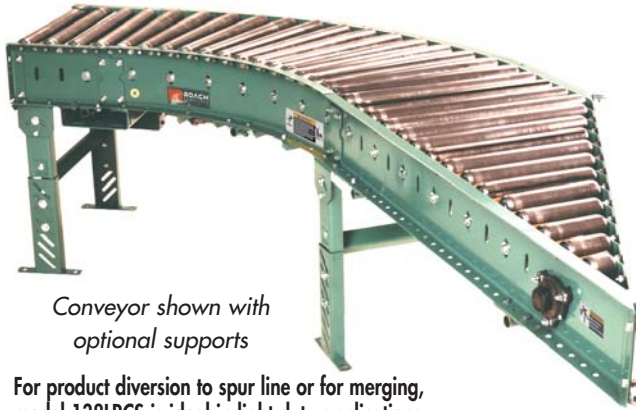
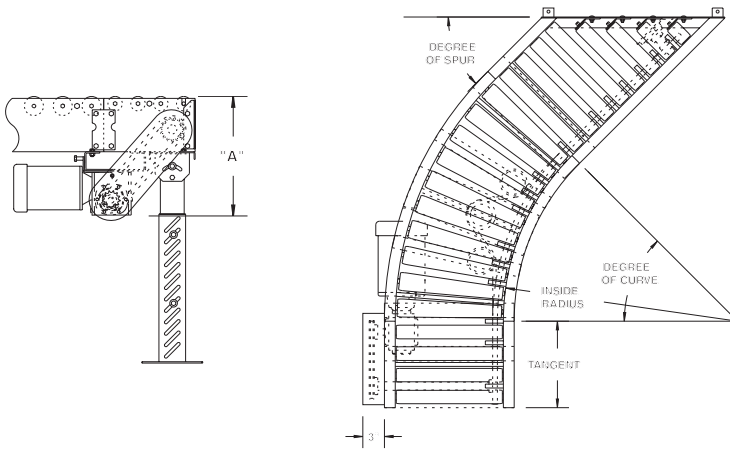
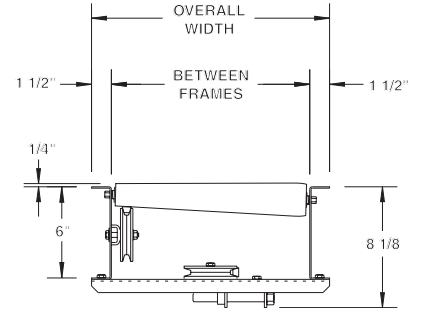


# MODEL 138LRCS LIGHT DUTY BELT DRIVEN LIVE ROLLER CURVE SPUR



Conveyor shown with optional supports

For product diversion to spur line or for merging, model 138LRCS is ideal in light duty applications.



## SPECIFICATIONS

**TREAD ROLLERS:** 1.9" dia. to 1-3/8" dia. x 16 ga. tapered rollers, model 138T; 1-3/8" dia. x 18 ga., model 138G w/ 5/16" hex, galvanized straight tangent rollers.

**ROLLER CENTERS:** 1-9/16" measured at inside radius of unit.

**PRESSURE SHEAVES:** Provides drive belt pressure to upper tread rollers.

**BELT:** "B" section V-belt.

**TAKE-UP:** Screw type adjustable sheave with flat idler sheaves provided to maintain belt tension.

**TANGENTS:** 12" opposite spur end on 60°/30° unit; 18" opposite spur end on 45°/45° unit.

**SPEED:** 60 FPM, constant.

**BEARINGS:** End shafts are supported by precision, heavy duty, lubricated, ball bearing units with cast iron housings.

**BED:** 6" x 1-1/2" x 12 ga. formed steel channel frame.

**ROLLER CHAIN:** Drive shaft is driven by No. 50 chain.

**MOTOR DRIVE:** 1/3 HP, 230/460/3, 60 cycle, ODP right angle gear motor, located under tangent straight section bed.

**SPUR HAND/DRIVE LOCATION:** Drive located on outside of curve. Specify hand of spur as "left hand" or "right hand" and location of drive specified as "left hand drive" or "right hand drive". Drive location determined with reference point located at outside of curve (see "determining drive location" on pg. 22). For models slave driven (less drive), specify drive shaft location.

**CAPACITY:** 300 lb. total distributed live load.

HP @ 60 FPM	"A" MAX
1/3, 1/2	15-5/8"
3/4	16"
1	16-1/4"
1-1/2	17-1/8"
2	18"

## OPTIONAL EQUIPMENT

**SPECIAL WIDTHS:** Consult factory for pricing of ALL widths not shown.

**GUARD RAILS:** See Conveyor Accessories for various type guard rails available.

**FLOOR SUPPORTS:** See Conveyor Accessories for various elevation and types.

**TANGENTS:** Lengths other than listed available. Combined total length must not exceed 3'-0".

**BELT SPEED:** Constant speed 10-120 FPM; AC & DC variable speed. Other constant or variable speeds available. **NOTE: CAPACITY CHANGES WITH SPEED.**

**MOTORS:** Available through 2 HP in TEFC, ex. proof, dirty duty, brake motor, 115/230/1, 575/3, etc.

**ELECTRICAL CONTROLS:** Magnetic & manual starters; push buttons, etc.

WEIGHTS (LBS.)				
BF	OAW	INSIDE RADIUS	45°/45°	60°/30°
10"	13"	2'-8-1/2"	384	393
16"	19"	2'-8-1/2"	453	492
22"	25"	2'-8-1/2"	528	588

**NOTE:** This unit is not recommended for accumulating loads.

■ 3 week shipment

